



Joy-in
Adapted to your rhythm



Fixed or mobile



high or low



Joy-in, una mesa multifuncional con una nueva e innovadora forma de entender los espacios de trabajo. Adaptable a las nuevas formas de compartir en la oficina.

Joy-in, an innovative and multifunctional table that integrates and adapts to new workspaces. In line with the new ways of sharing in the office.

Joy-in, une table multifonctionnelle avec une nouvelle et innovatrice manière d'interpréter les espaces de travail. Conforme aux nouvelles façons de partager au bureau.

_ By Benditas

jggroup.com



JOY-IN

Technical specifications

A table for all spaces.

The Joy-in multifunctional office table has a new and innovative way of understanding workspaces.

It adapts to the new ways of sharing in offices.

It is designed to adapt itself to various types of workspaces, from meeting rooms to hot spots for coworking spaces or multidisciplinary workshops.

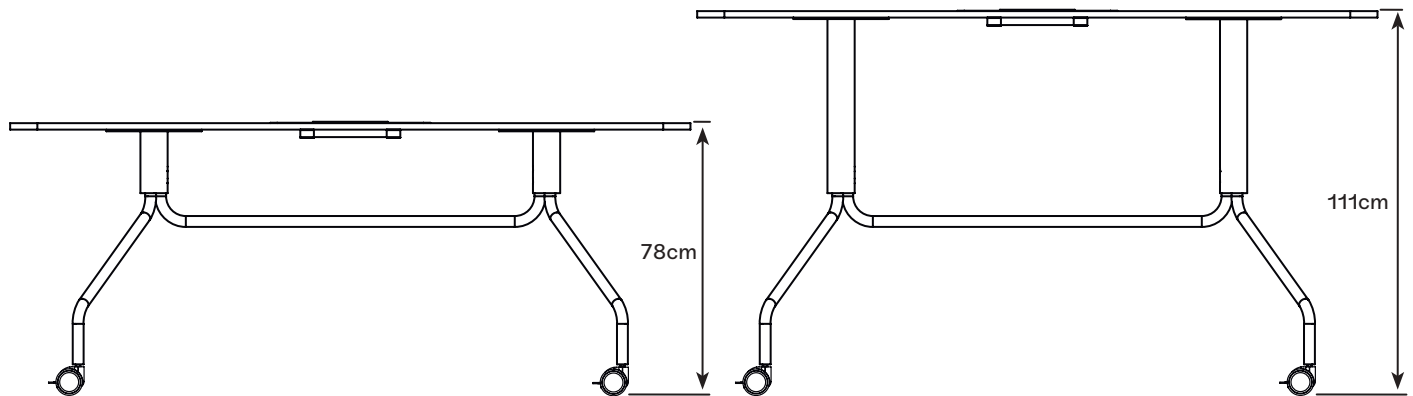
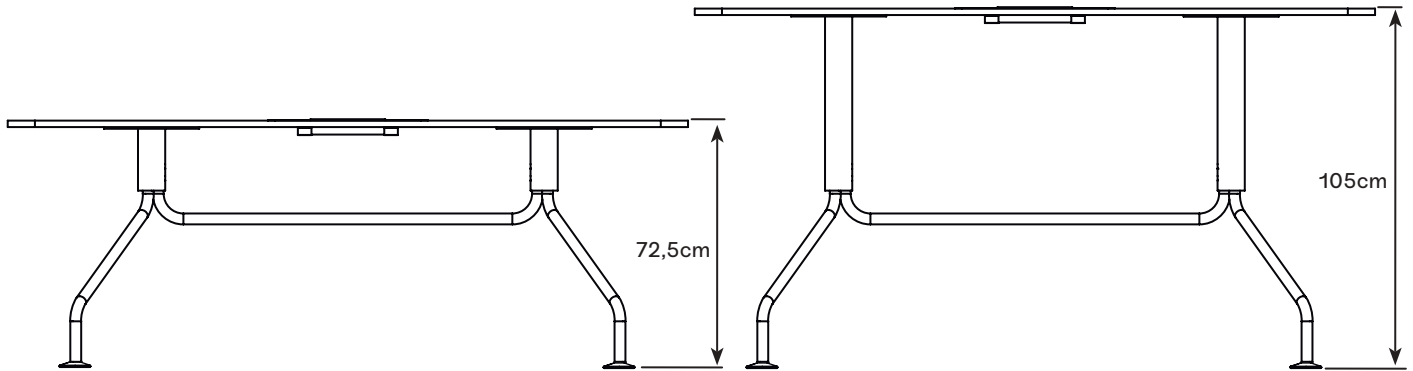


It is configurable in terms of height, colour and mobility, to be able to access the different existing spaces and provide a modern touch.

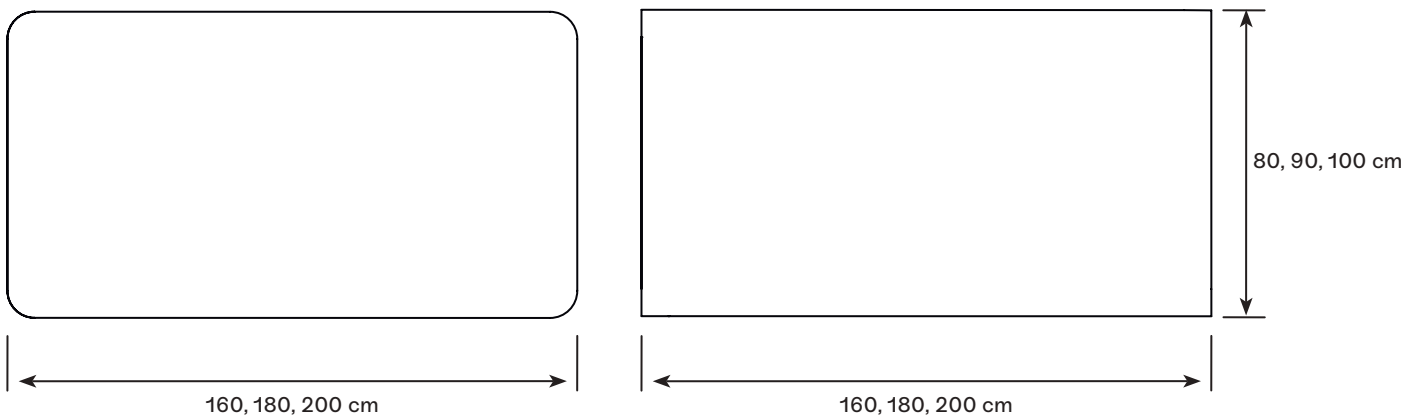
Types

In order to be able to carry out the different configurations there are several solutions, both for structures, table tops as well as supports, which can be combined with each other:

- 2 different heights, with casters or levellers.



- Up to 36 combinations of tops: 2 shapes, 3 lengths, 3 widths, and the option of electrification.



Structure

Material

Steel tubes with 32mm diameter and 2mm thickness, welded together to make the legs. Mechanically joined central tube. High rigidity structure coated with epoxy powder paint. Available finishes: White (B3) and Matt Black (NM).

Levellers and castors

The levellers chosen to respect the unique design of this series are made of black polypropylene (PP). They come with 20mm-long levelling studs.

Featuring newly designed 65mm diameter self-braking castors, optional in all combinations. Available in black, and with soft PU tread.



Tops

Material

The structure is composed of 19mm melamine over high-density fibreboard (600kg/m³) with 2mm ABS / PVC edge-banding. Available in JG Group's full range of melamines.

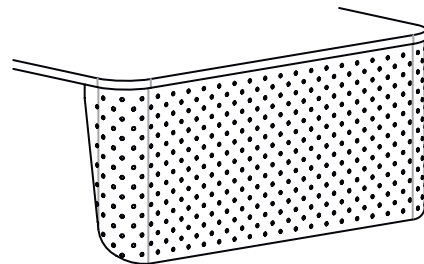
Accessories

Connecting grid

In order to link tables with different heights, and thus create different environments or functions, we have created our own connecting grid.

The grid is made from 1.5mm punched sheet metal with circular holes, bent in the shape of the table top (only available for shaped table tops), coated with epoxy powder paint.

Available finishes: White 9003 (B3) and Matt Black (NM).



Joining kit

This collection has been designed with the idea of joining tables to create, for example, collaborative work spaces. The 2Move series table joining kits (1105-B-K2UNME-SA2) can be used for this.



Sistema de unión lateral entre mesas. (Accesorio opcional)
 Système d'union latérale entre tables. (Optionnel)
 System of side joining desks. (Optional)

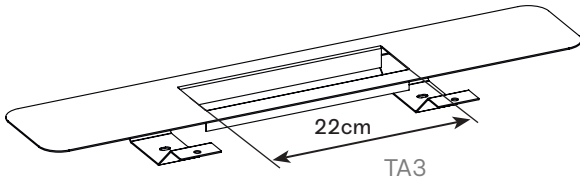
Electrification

Support for surface mounted socket outlets

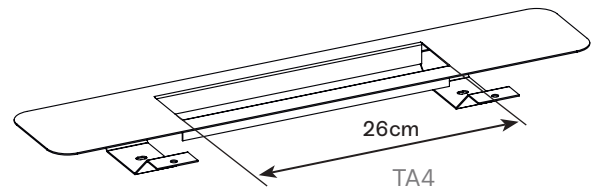
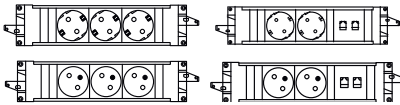
Embellisher for socket outlets of our own design and exclusive for this series. Made of 1.2mm punched and bent sheet metal, and coated with epoxy powder paint. 2 different sizes.

Accessory compatible only with standard socket outlets from the Power Solutions collection. 4 positions available. Does not include tray (instead 2 supports are included).

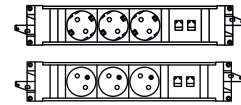
Finishes in White 9003 (B3) for B3 structures and Matt Black (NM) for NM structures. Supports in DP.



Compatible socket outlets:



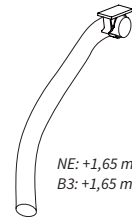
Compatible socket outlets:



Cable riser

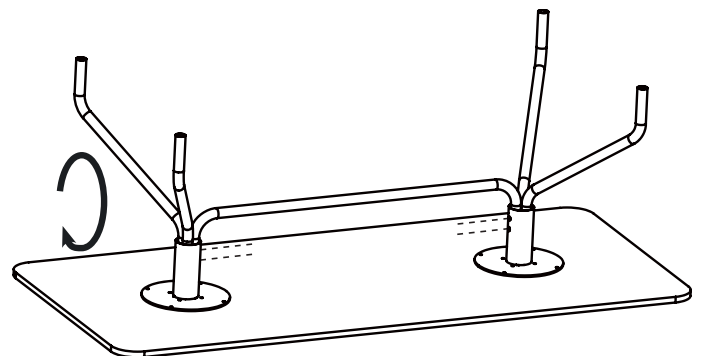
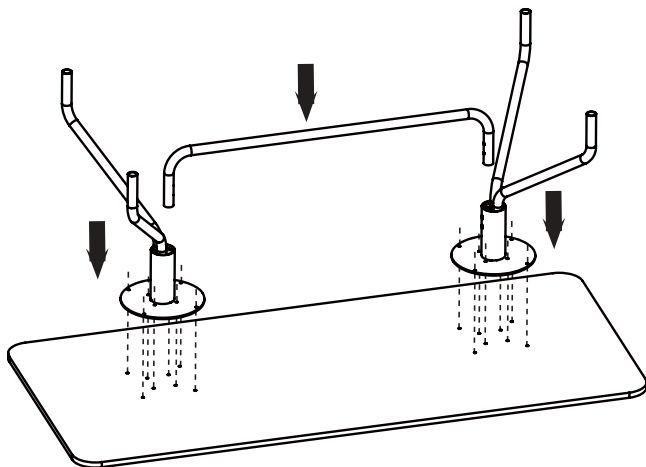
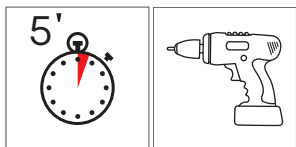
We sought a simple solution that does not clash with the structure: a flexible cable collector, made of PET mesh, and available in 2 colours: black and white.

Measures: \varnothing 3 x 165 cm.



Assembly

The table is delivered disassembled to save transport space. For assembly, simply put the legs into their position, attach the connecting tube, and affix the top to the structure. Finally, depending on the option chosen, it will be necessary to attach and screw in the levellers or the castors.



Packaging

Legs are supplied in sets of 2 legs, in cardboard packaging to facilitate handling, and with internal expanded polystyrene (EPS) protections and polyethylene foam profiles. Each leg comes with the end caps already assembled.

The table tops are protected with 30- or 35-micron shrink wrap plastic and corner protectors.

Maintenance, Quality and Ecology

Our company has the quality certification **ISO 9001** and **TECNALIA** for years, institution that verifies and standardizes raw material and compliance with European norms applicable to office furniture.

Regarding to environmental policy, our company has implemented and certified all the measures contained in the **ISO 14001** and **ISO 14006**. Compliance with these standards facilitates obtaining LEED points with our products.

The most suitable for cleaning our furniture is the use of a clean microfiber cloth, slightly moistened with water, without any additional cleaning products. If some dirt is rather difficult to remove, use the same microfiber cloth or a 100% cotton one slightly moist with water and a little neutral soap or window-cleaning fluid (except natural wood). Then, dry the furniture with another soft, dry cloth.

All the products that contain ammonia, caustic or solvent products are not recommended at all. The cleaning products made specifically for furniture usually contain substances like wax to enhance the shine of natural wood surfaces that has been damaged by use and are timeworn, but such substances can give the furniture a greasy look and cause irreversible effects on it. Therefore these are also not recommended.



Recyclable

The components in our furniture are easy to separate out and recycle.



Production

Production processes that are environmentally friendly.



Use

Our products are ergonomic and safe for users.



Transport

We minimise the impact of transport and packaging on the environment.



Materials

Recycled materials and secondary metals.



Certified company in management system, quality and environment by:



Sistema de
Gestión
ISO 9001:2015
ISO 14001:2015
ISO 14006:2011
www.tuv.com
ID 1100008125