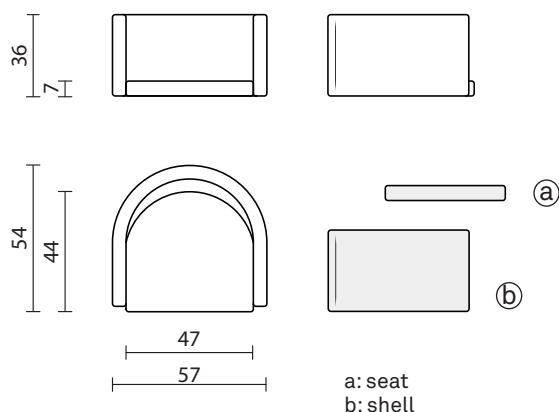


ROSY

Little armchair



INFO AND MEASURES

| | |
|------------------|--|
| Product code: | FB-740-000 (a: FA-740-000) (b: FC-740-000) |
| Net weight: | 8.5 kg |
| Required fabric: | 130x140 cm |

PADDING

Shell (b) and seat (a) in flexible polyurethane made by casting in resin or aluminum molds.

- Density 60-70 kg/mc
- Fireproof material according to Italian class 1IM regulation
- Alternatively, California Technical Bulletin 117:2013 and English BS 5852-2-1982 on request

INTERNAL STRUCTURE

Shell (b) and seat (a): a metal frame is moulded in cold polyurethane foam.

The padding has, where necessary, wooden or plastic stripes for stapling the fabric.

PACKAGING

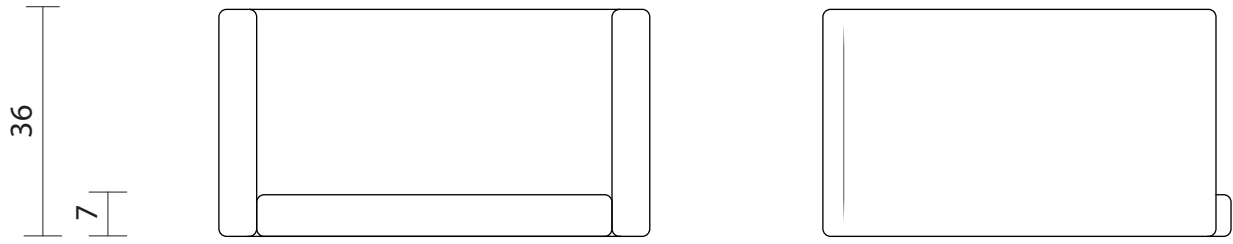
The product is packed in cardboard boxes

- Box measures: 78x60x55 cm
- Product net weight: 8.5 kg
- Box weight: 2 kg
- Pieces per box: 1
- Gross weight (products+box): 10.5 kg
- Boxes per pallet 80x120: 8 (2.3 m³)

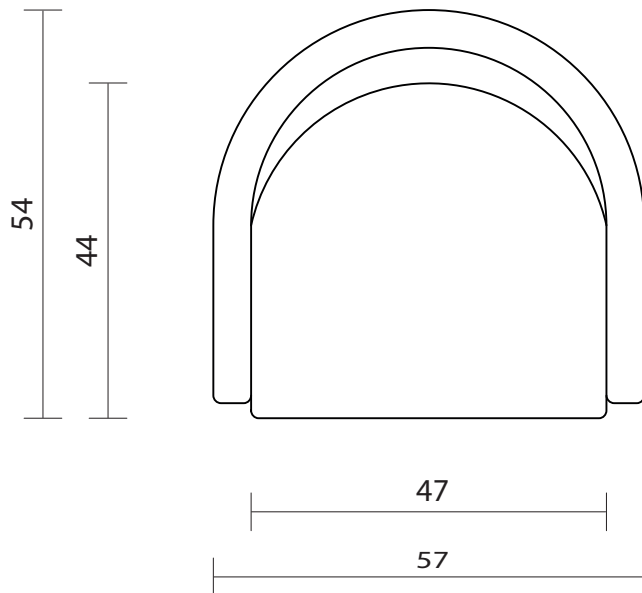
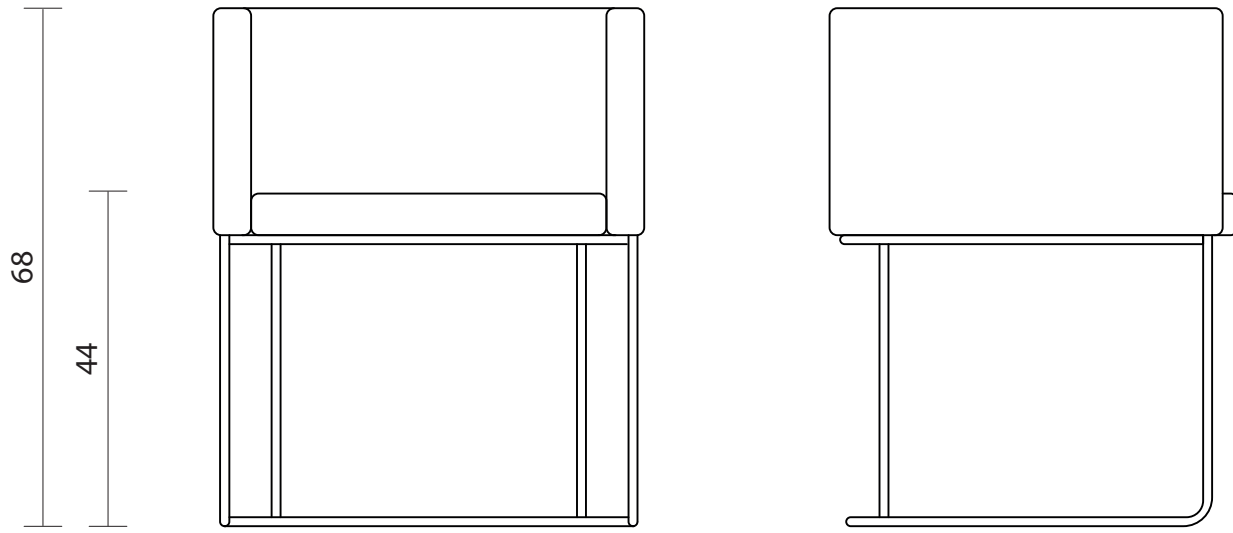
BASES E ACCESSORIES



SB-742-N00



ROSY - Seat and backrest (FB-740-000) + Base (SB-742-N00)



| | |
|--|------------|
| Orthographic proj. (FB-740-000) | Scale 1:10 |
| Orthographic proj. (FB-740-000)/(SB-742-N00) | Scale 1:10 |
| Sheet A4 n. 1/1 | 10/05/2019 |
| Unit of measure: cm | CS srl |