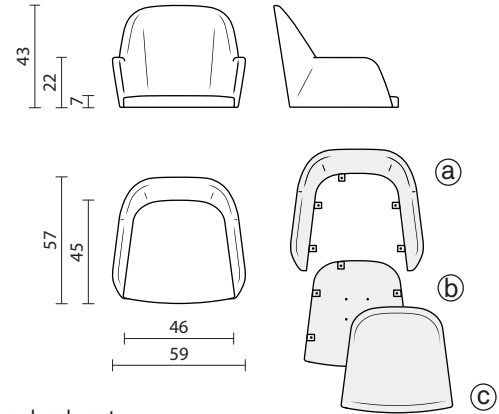


# DELTA

## Little armchair



a: backrest  
b: seat wood  
c: cut rubber seat

## INFO AND MEASURES

Product code:	FB-DEL-B00 (a: FC-DEL-B00) (b: TF-FADEL) (c: DF-DELTA)
Hole centres:	140x140 mm
Net weight:	4.8 kg
Required fabric:	150x140 cm

## INTERNAL STRUCTURE

Backrest (b): a metal frame is moulded in cold polyurethane foam.

The seat (c) has a wood insert (b) with M10 T-nuts to fix it to the backrest and the base.

The padding has, where necessary, wooden or plastic stripes for stapling the fabric.

## PADDING

Backrest (a) in flexible polyurethane made by casting in resin or aluminum molds.

- Density 60-70 kg/mc
- Fireproof material according to Italian class 1IM regulation
- Alternatively, California Technical Bulletin 117:2013 and English BS 5852-2-1982 on request

Seat (c) made from a rubber block.

## PACKAGING

The product is packed in cardboard boxes

- Box measures: 78x60x55 cm
- Product net weight: 4.8 kg
- Box weight: 2 kg
- Pieces per box: 3
- Gross weight (products+box): 16.4 kg
- Boxes per pallet 80x120: 8 (2.3 m<sup>3</sup>)

## BASES E ACCESSORIES



SB-TRP-SE0



TF-DEL01



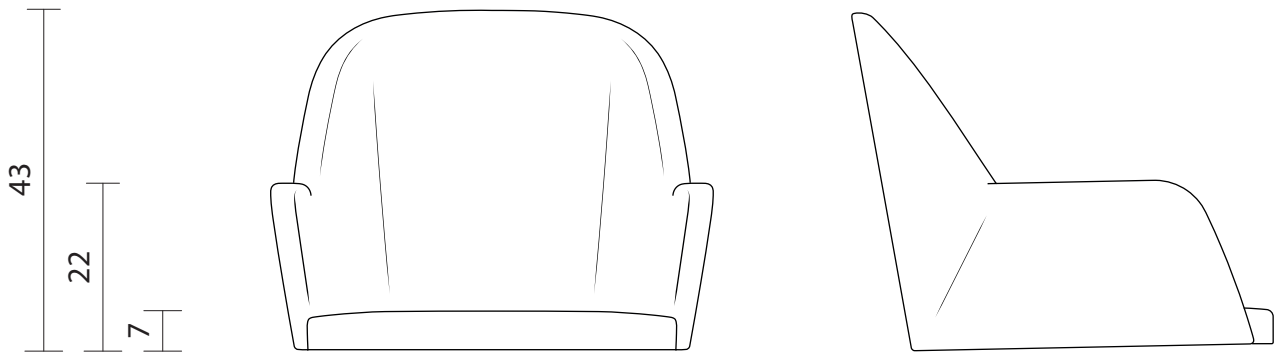
SB-VEN-N00



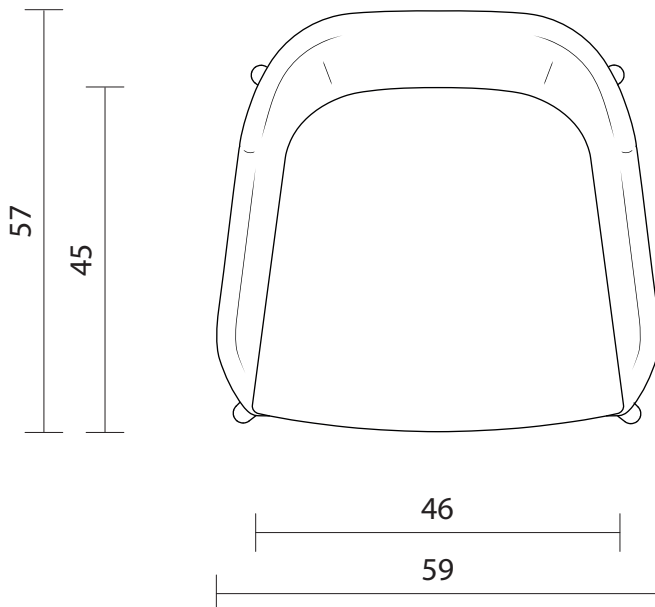
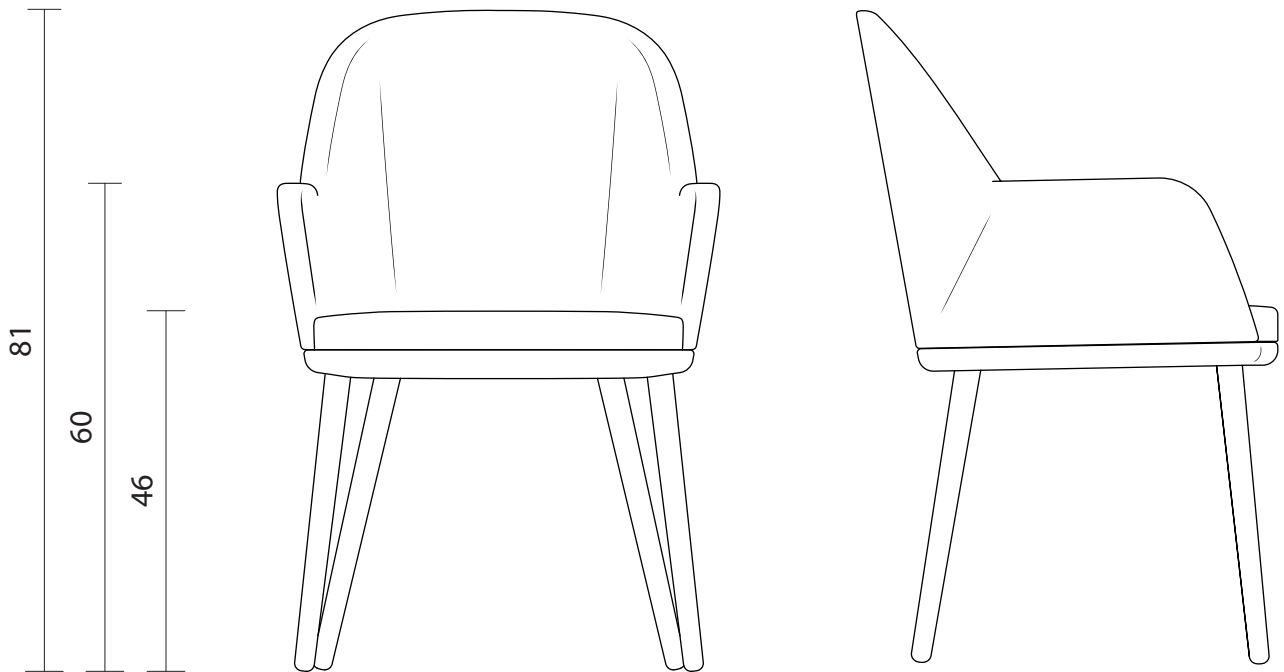
SB-SLI-N00



SB-680-N00



DELTA - Little armchair seat and backrest with wooden base (PL-DEL-B00)  
(FB-DEL-B00) + (TF-DEL01)



Ortographic proj. (FB-DEL-B00)	Scale 1:10
Ortographic proj. (PL-DEL-B00)	Scale 1:10
Sheet A4 n. 1/1	10/05/2019
Unit of measure: cm	CS srl